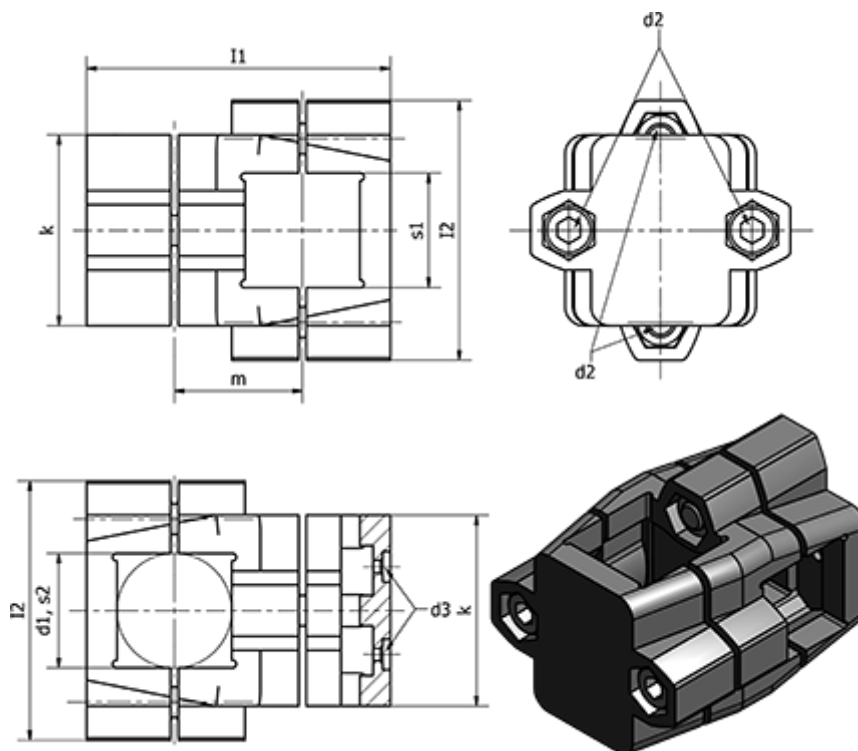


Article number: 201341V40V402SW

Description: E+G Tube connector - GN 134.1-V40-V40-2-SW

Measures



Clamping kit for d2 = -	m	= 55
Clamping kit for d2 = GN 911-M10-55	s1	= V40
d1 = -	s2	= V40
d2 = M10	Weight (g)	= 946
d3 = M5		
l1 = 125		
l2 = 98		
k = 76		